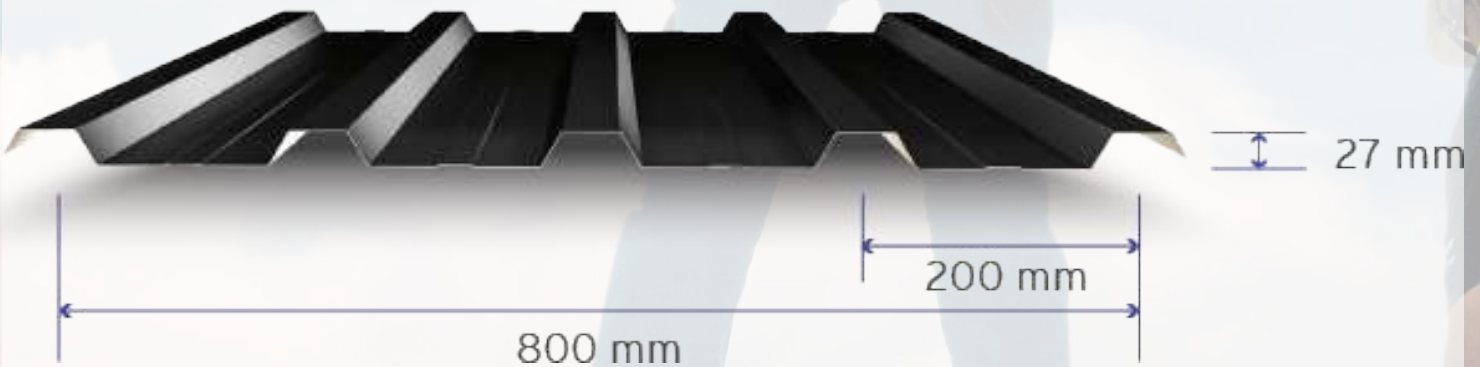


5 Ribs Roof Trapezoidal Sheets

TKT-05

5 Ribs Roof Panel Profiled Trapezoidal Sheets

TKT-01



Product Features

- Usage as complementary product with the 3 and 5 ribs sandwich roof panel profiled
- Production in 5 and 6 ribs roof / wall trapezoidal profile*
- Prepainted galvanized steel or aluminum option
- Production in various color options
- Production flexibility at any ordered length between 2 m - 16 m
- Sheet thickness options 0,40-0,50-0,60-0,70-0,80-0,90*-1,00*
- Possibility to apply on roof and wall as single layer or double layer with thermal insulation
- ISO, TSE, CE quality certificates
- Production at the factories in Mersin and Sakarya

Application Areas



Load Table

TKT-02 6 6 RIBS ROOF/WALL TRAPEZOIDAL SHEET 27/250-6		Multi Span Uniformly Distributer Loads (kg/m ²)				
Sheet Thickness mm		Span (m)				
		1.00	1.50	2.00	2.50	3.00
0.40		190	127	95	75	62
0.50		236	157	118	93	78
0.60		284	190	142	113	94
0.70		332	221	165	132	111
0.80		380	253	190	151	126
0.90		426	284	213	171	142
1.00		474	315	236	189	157

- Calculated according to Stress Design method
- Self weight, live load, wind load and temperature difference are taken into consideration.
- L/200 is used as deflection limit.

- The values have been calculated by TICEM Ileri Yapı Teknolojileri.
- Please contact Teknopanel for the products that are not shown at load table.